

# GN 75

## GENESIS 75



The modern aluminium system for designing windows and doors requiring very good thermal insulation.

# GN 75

The modern aluminium system for designing windows and doors requiring very good thermal insulation.

The Genesis 75 system is based on 75 mm deep sections use to build frames.

Genesis 75 is a system intended for designing windows and doors structures in public access buildings as well as single-family and multi-unit residential buildings.

A wide range of sections/profiles available in the offer of the Genesis 75 system is used to design modern windows, doors and display units that ensure high functionality.

The Genesis 75 system incorporates modern insulation materials that have just been launched onto the market. Apart from a conventional central gasket, an additional thermal gasket has been developed as well. With this solution, it is possible to attain very excellent tightness of windows (air infiltration, water-tightness) as well as innovative appearance and aesthetics.

The system will allow the customer to select various finish options for profiles so that the window structure can be customised.

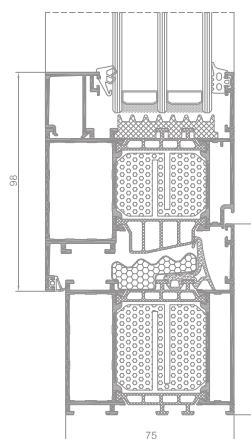
The Genesis 75 system sets a new standard of window thermal performance, with the highest ergonomics of use and modern profile aesthetics maintained.

There is possibility of use Flyscreen system (Flyscreen – fly screens are a practical and an extremely functional protection against insects).

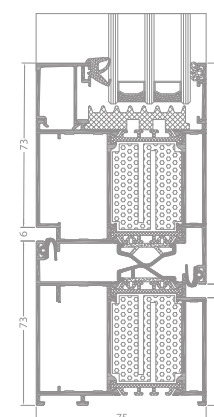
Anti-burglary tested the system door GN75:

- single-leaf door in RC2 I RC3 class
- double-leaf door in RC2 I RC3 class.

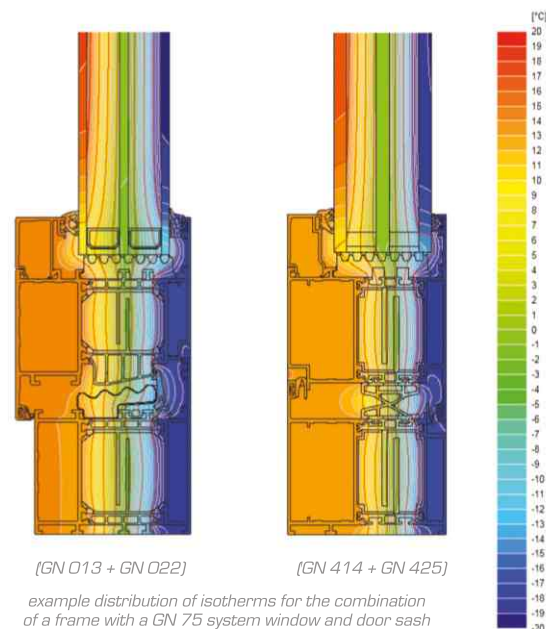
Wide range of colours – RAL palette (Qualicoat 1518), texture colours, Aliplast Wood Colour Effect (wood-like colours), Aliplast Loft View – colours imitating stone surfaces (Qualideco PL-0001), anodized colour (Qualanod 1808), bi-colour.



GN 75 window section  
[GN 013 + GN 022]



GN 75 door section  
[GN 414 + GN 425]



[GN 013 + GN 022]

[GN 414 + GN 425]

example distribution of isotherms for the combination of a frame with a GN 75 system window and door sash

## TECHNICAL SPECIFICATION

SYSTEM	DEPTH OF FRAME	DEPTH OF LEAF	GLAZING RANGE	ACOUSTIC	MAXIMUM WINDOW SIZES	MAXIMUM DOOR SIZES
GN 75 window	75 mm / 84 mm /		fix 1 - 56 mm window 9 - 65 mm	45 (-1,-3) dB	single-leaf window 1300 x 2800 mm double-leaf window 2500 x 2600 mm	—————
GN 75 door	75 mm / 75 mm /		1-59 mm	44 (-1,-4) dB	—————	single-leaf door 1404 x 2810 mm double-leaf door 2500 x 2500 mm

## PERFORMANCE

SYSTEM	THERMAL INSULATION Uf *	AIR PERMEABILITY	WINDLOAD RESISTANCE	WATERTIGHTNESS
GN 75 window	Uf from 1,35 W/m <sup>2</sup> K	Class 4; EN 12207	E2400 (2400 Pa); EN 12210	E1800 (1800 Pa)/E1950*(E1950 Pa); EN 12208
GN 75 i+ window	Uf from 0,76 W/m <sup>2</sup> K	Class 4; EN 12207	E2400 (2400 Pa); EN 12210	E1800 (1800 Pa)/E1950*(E1950 Pa); EN 12208
GN 75 door	Uf from 1,625 W/m <sup>2</sup> K	Class 4; EN 12207	C5 (2000 Pa); EN 12210	E1200 (1200 Pa); EN 12208
GN 75 i+ door	Uf from 1,195 W/m <sup>2</sup> K	Class 4; EN 12207	C5 (2000 Pa); EN 12210	E1200 (1200 Pa); EN 12208

\* Thermal performance depends on the combination of profiles and infill thickness.

\* A value of 1950 Pa was obtained during testing.